

# THERMA-TRU<sup>®</sup> DOORS

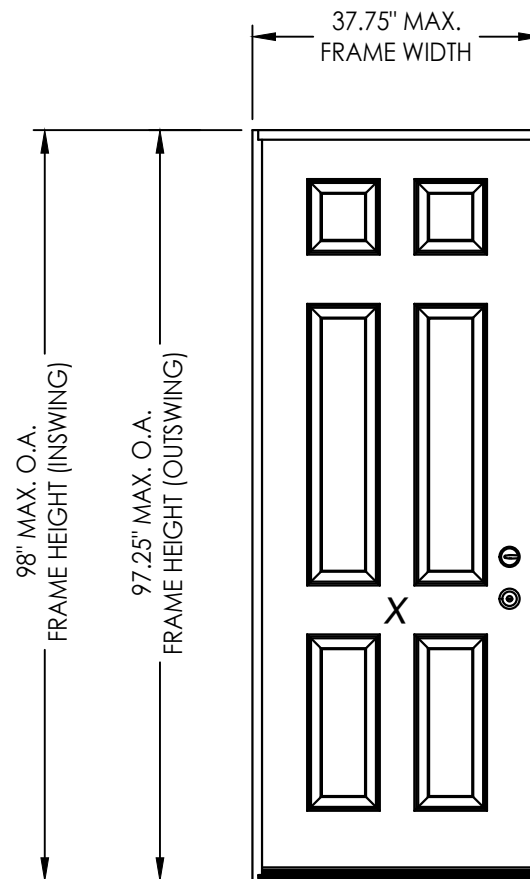
Fiber-Classic<sup>®</sup> & Smooth-Star<sup>®</sup>

## COMPOSITE EDGE OPAQUE FIBERGLASS SINGLE DOOR IN SWING/OUT SWING "IMPACT"

### GENERAL NOTES

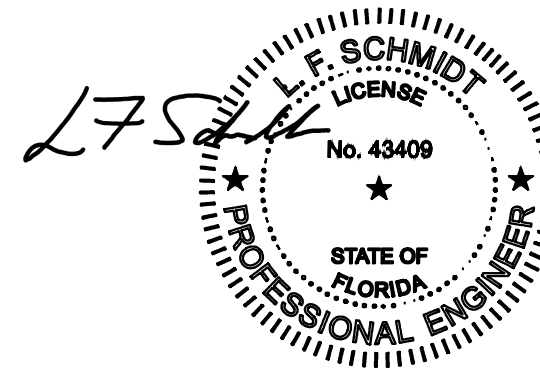
- This product has been evaluated and is in compliance with the 8th Edition (2023) Florida Building Code (FBC) structural requirements excluding the "High Velocity Hurricane Zone" (HVHZ).
- Product anchors shall be as listed and spaced as shown on details. Anchor embedment to base material shall be beyond wall dressing or stucco.
- When used in areas requiring wind borne debris protection, this product complies with FBC Sections 1609.1.2 & R301.2.1.2 and does not require an impact resistant covering. This product meets missile level "D" and includes Wind Zone 4 as defined in ASTM E1996 and FBC Sections 1609.1.2.2 & R301.2.1.2.1.
- For 2x stud framing construction, anchoring of these units shall be the same as that shown for 2x buck masonry construction.
- Site conditions that deviate from the details of this drawing require further engineering analysis by a licensed engineer or registered architect.
- Fiber-Classic & Smooth-Star Door panel require the use of "J" part numbers and must be stained or painted within six months of installation.

TABLE OF CONTENTS	
SHEET #	DESCRIPTION
1	Typical Elevations, Design Pressures & General Notes
2	Door Panel Details
3	Elevations
4	Horizontal & Vertical Cross Sections (2X Buck)
5	Horizontal & Vertical Cross Sections (1X Buck)
6	Horizontal & Vertical Cross Sections (Direct to Masonry)
7	Vertical Cross Sections (Thresholds)
8	Buck & Frame Anchoring
9	Hardware Details
10	Components
11	Components & Bill of Materials



CONFIGURATION	LOCK HARDWARE CENTERLINE	LOCK HARDWARE	DESIGN PRESSURE (PSF) IN SWING		DESIGN PRESSURE (PSF) OUT SWING	
			POSITIVE	NEGATIVE	POSITIVE	NEGATIVE
X	5-1/2"	Latch & Deadbolt	+60.0	-67.0	+60.0	-60.0
X	12"	Latch & Deadbolt	+67.0	-67.0	+67.0	-67.0
X	N/A	Multipoint	+50.0	-50.0	+50.0	-50.0

See Sheet 3 for Hardware Specifications



This item has been digitally signed and sealed by L. F. Schmidt, P.E. on the date adjacent to the seal. Printed copies of this document are not considered signed and sealed and the signature must be verified on any electronic copies.

THIS PRODUCT APPROVAL IS VALID ONLY FOR THE STATE OF FLORIDA

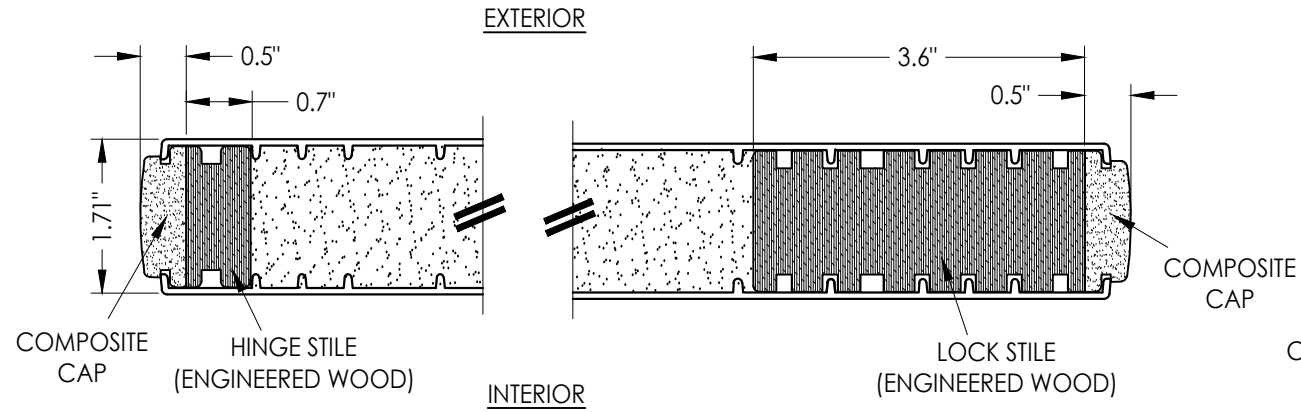
Documents Prepared By:  
Lyndon F. Schmidt  
P.E. No. 43409

RW BUILDING CONSULTANTS, INC.  
P.O. Box 230, Valrico, FL 33595  
Phone No.: 813.659.9197  
FBPE Registry No. 9813

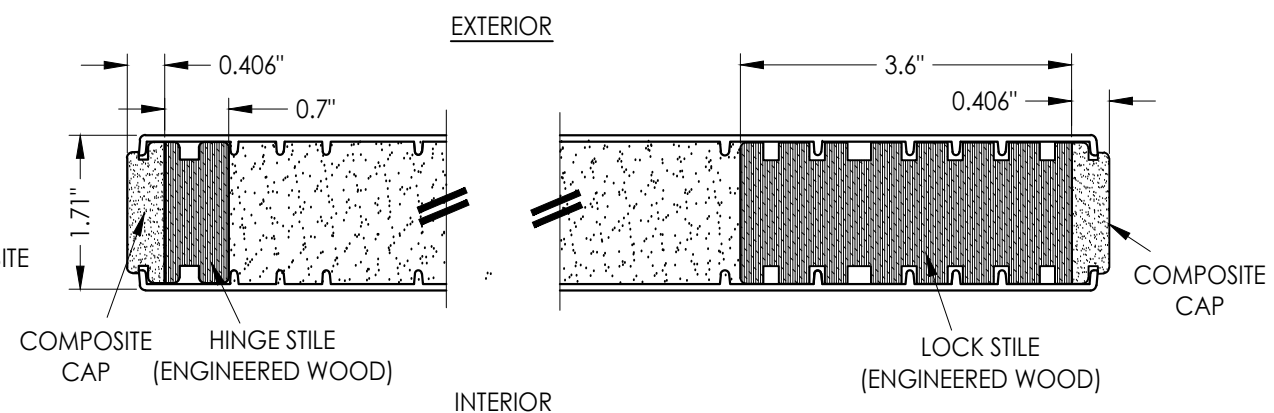
PRODUCT: THERMA-TRU FIBERGLASS DOOR  
PART OR ASSEMBLY: TYPICAL ELEVATION, DESIGN PRESSURES & GENERAL NOTES

NO.	DATE	REVISIONS
5	7/20/23	UPDATE TO 8TH ED. (2023) FBC
4	7/14/20	UPDATE TO 7th ED (2020) FBC
3	10/08/18	REV. DOOR PANEL OPTION NOTE
2	10/15/17	ADD DEADBOLT 5-1/2" O. C. AND RECESSED PANEL NOTATION
1	7/17/17	UPDATE TO 6th ED (2017) FBC

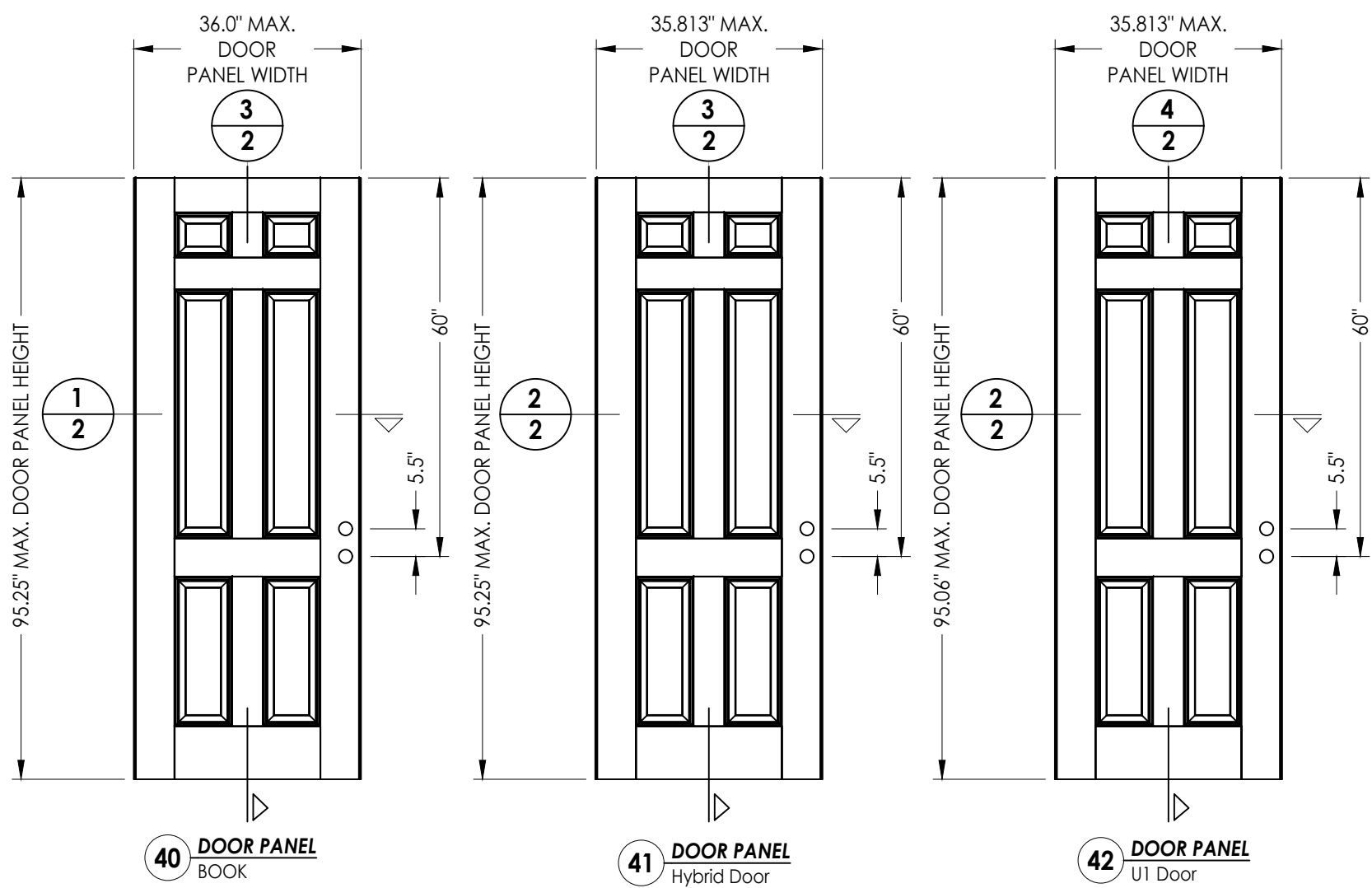
DATE: 08/02/16  
SCALE: N.T.S.  
DWG. BY: JK  
CHK. BY: LFS  
DRAWING NO.: FL-20468.4  
SHEET 1 OF 11



**1**  
**2** HORIZONTAL CROSS SECTION



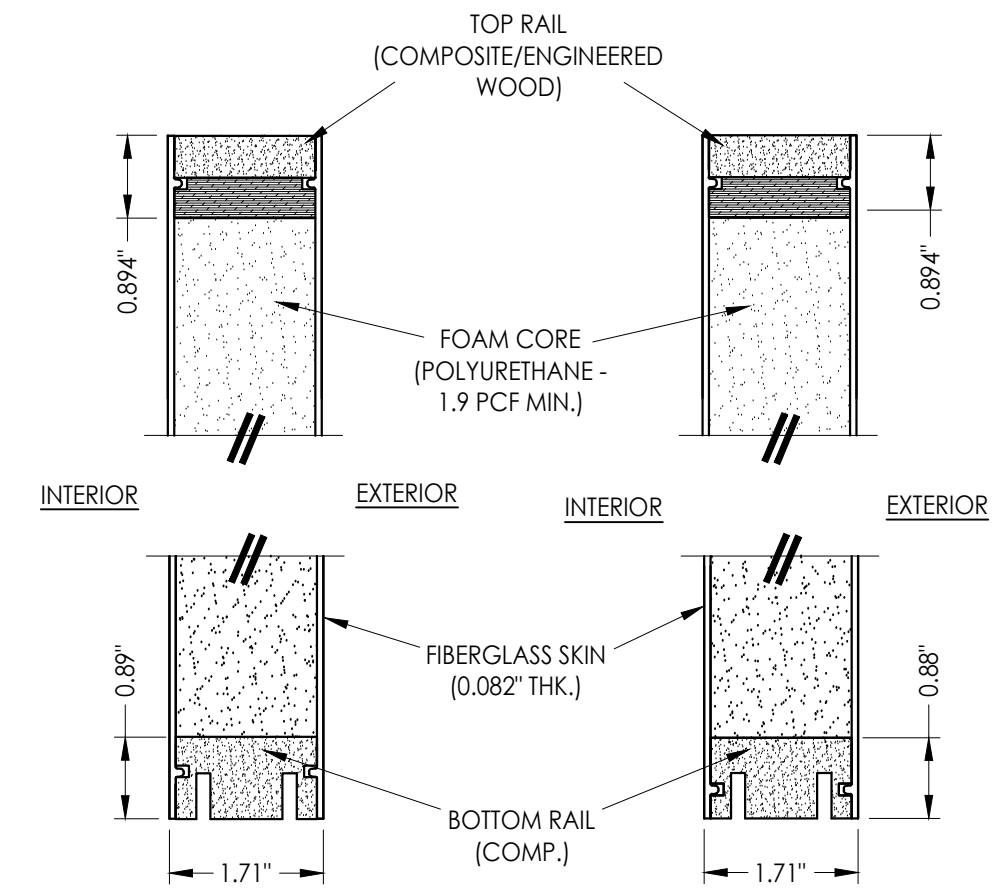
**2**  
**2** HORIZONTAL CROSS SECTION



**40** DOOR PANEL BOOK

**41** DOOR PANEL Hybrid Door

**42** DOOR PANEL U1 Door



**3**  
**2** VERTICAL CROSS SECTION

**4**  
**2** VERTICAL CROSS SECTION

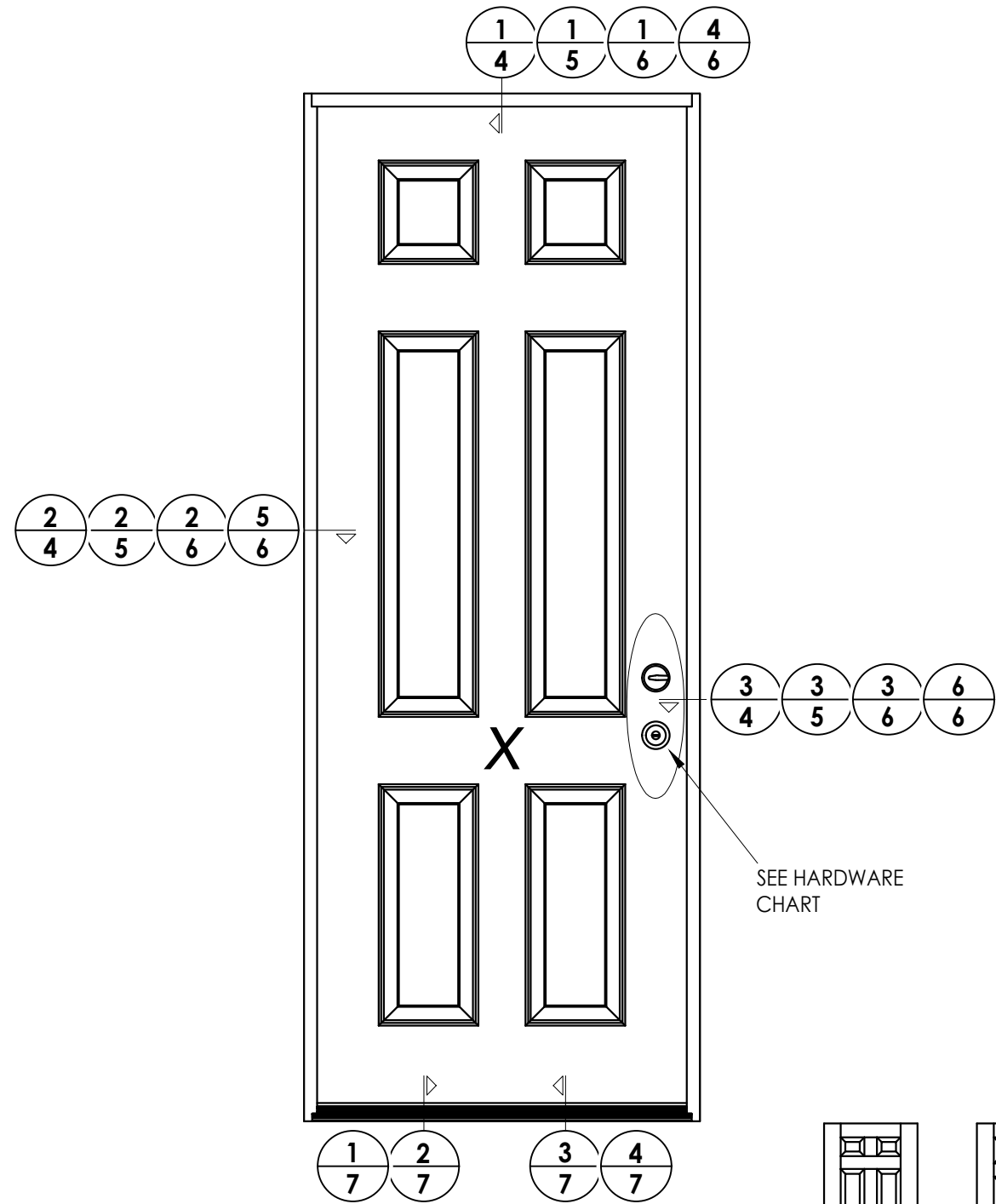
Documents Prepared By:  
Lyndon F. Schmidt  
P.E. No. 43409

**RW** BUILDING CONSULTANTS, INC.  
P.O. Box 230, Valrico, FL 33595  
Phone No.: 813.659.9197  
FBPE Registry No. 9813

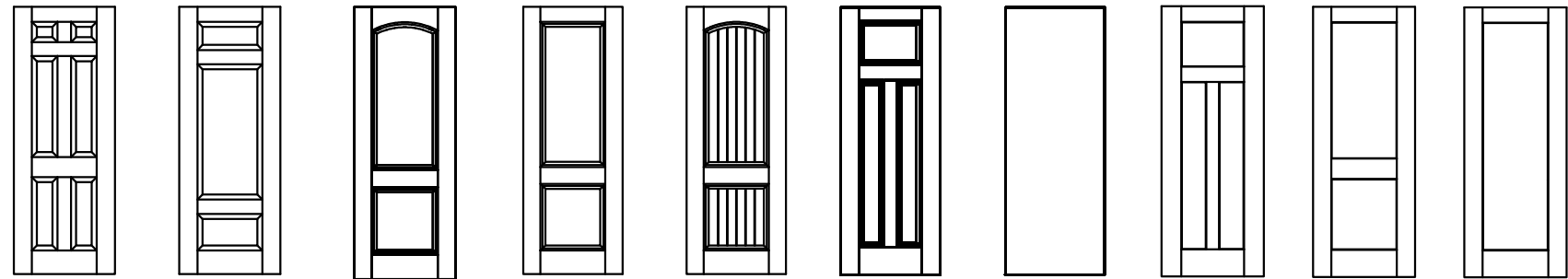
PRODUCT:  
THERMA-TRU  
FIBERGLASS DOOR  
PART OR ASSEMBLY:  
DOOR PANEL DETAILS

NO.	DATE	REVISIONS
5	7/20/23	UPDATE TO 8TH ED. (2023) FBC
4	7/14/20	UPDATE TO 7th ED (2020) FBC
3	10/08/18	REV. DOOR PANEL OPTION NOTE
2	10/15/17	ADD DEADBOLT 5-1/2" O. C. AND RECESSED PANEL NOTATION
1	7/17/17	UPDATE TO 6th ED (2017) FBC

DATE: 08/02/16  
SCALE: N.T.S.  
DWG. BY: JK  
CHK. BY: LFS  
DRAWING NO.: FL-20468.4  
SHEET 2 OF 11




HARDWARE TABLE	
MANUFACTURER	MODEL
SCHLAGE	KNOB: F51 DEADBOLT: B60
KWIKSET	KNOB: SIGNATURE SERIES DEADBOLT: SIGNATURE SERIES (980)
HOPPE (THERMA-TRU)	MULTIPOINT : MPDGART (3 pt. Manual Tongue)



**Fiber-Classic/Smooth-Star Door Panel Options**

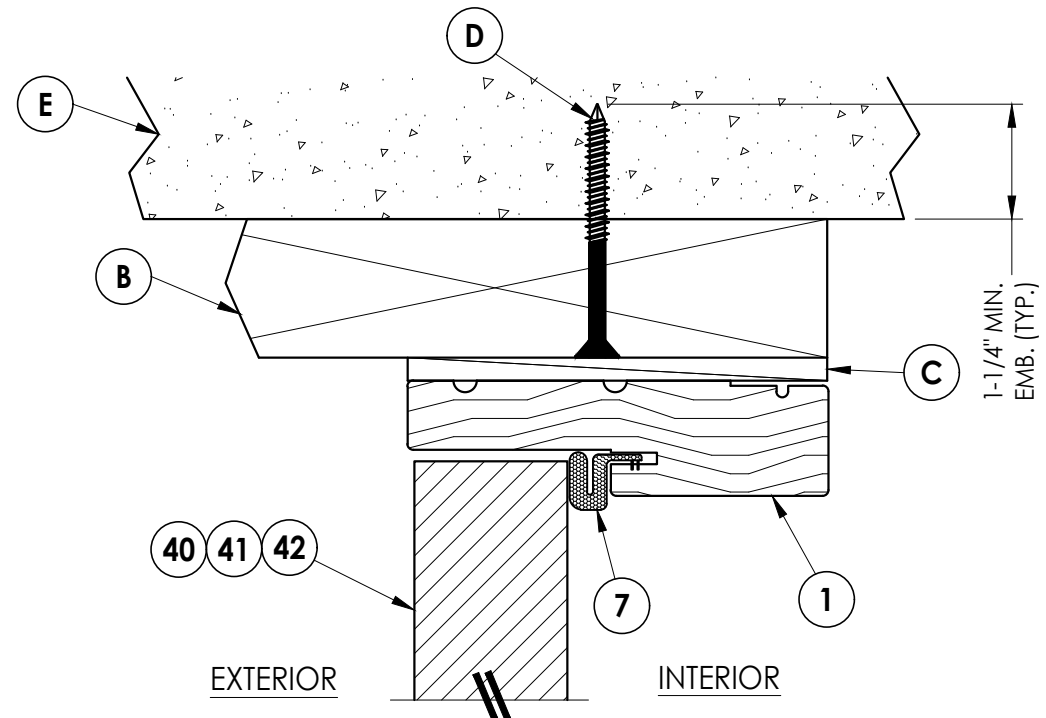
Products approved include all embossed and recessed panel doors.  
 Similar opaque panel configurations are allowed.  
 Panels shown are for illustration and are representative only.

Documents Prepared By:  
 Lyndon F. Schmidt  
 P.E. No. 43409  
  
 BUILDING CONSULTANTS, INC.  
 P.O. Box 230, Valrico, FL 33595  
 Phone No.: 813.659.9197  
 FBPE Registry No. 9813

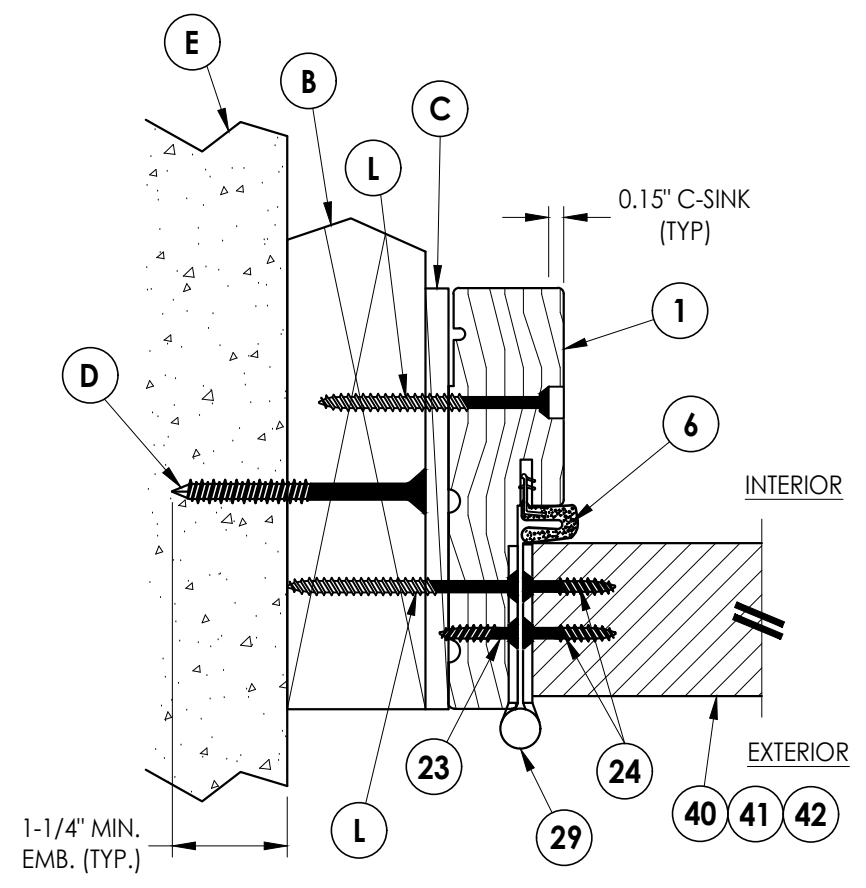
PRODUCT:  
 THERMA-TRU  
 FIBERGLASS DOOR  
 PART OR ASSEMBLY:  
 ELEVATIONS

NO.	DATE	REVISIONS
5	7/20/23	UPDATE TO 8TH ED. (2023) FBC
4	7/14/20	UPDATE TO 7th ED. (2020) FBC
3	10/08/18	REV. DOOR PANEL OPTION NOTE
2	10/15/17	ADD DEADBOLT 5-1/2" O. C. AND RECESSED PANEL NOTATION
1	7/17/17	UPDATE TO 6th ED. (2017) FBC

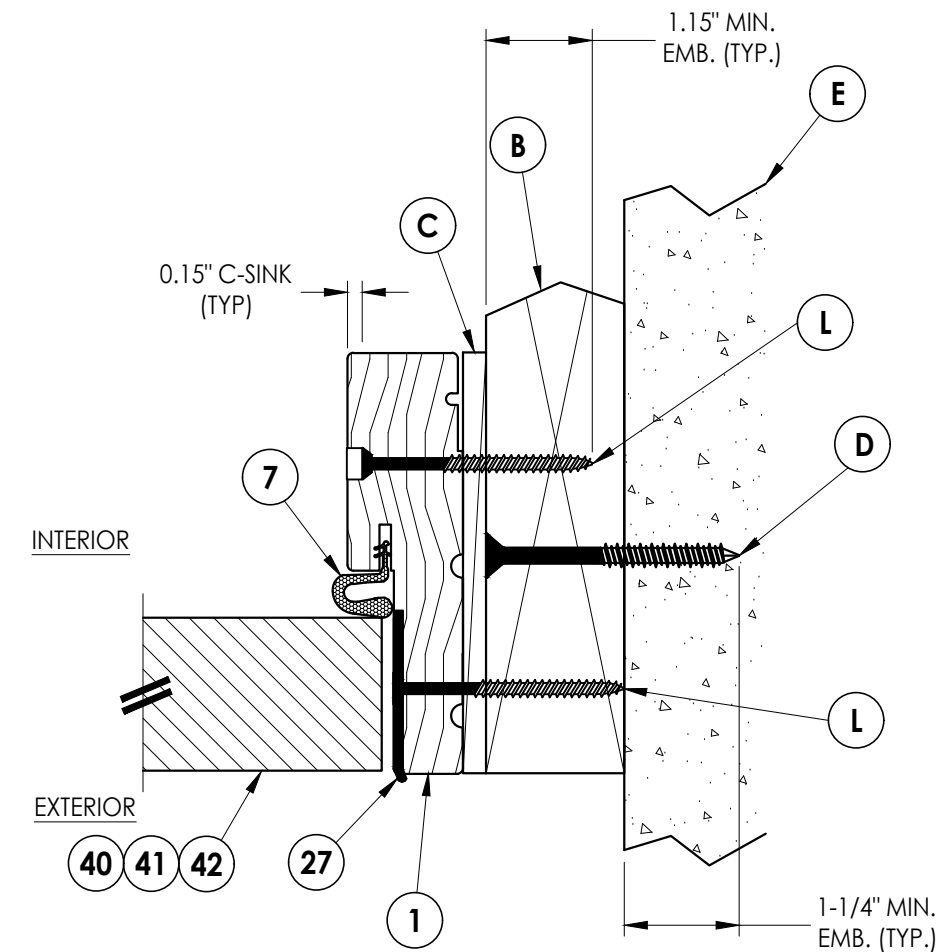
DATE: 08/02/16  
 SCALE: N.T.S.  
 DWG. BY: JK  
 CHK. BY: LFS  
 DRAWING NO.: FL-20468.4  
 SHEET 3 OF 11



**1 VERTICAL CROSS SECTION**  
**4** Shown w/ 2X Buck  
 Outswing shown (Inswing similar)



**2 HORIZONTAL CROSS SECTION**  
**4** Shown w/ 2X Buck  
 Outswing shown (Inswing similar)



**3 HORIZONTAL CROSS SECTION**  
**4** Shown w/ 2X Buck  
 Outswing shown (Inswing similar)

Documents Prepared By:  
 Lyndon F. Schmidt  
 P.E. No. 43409

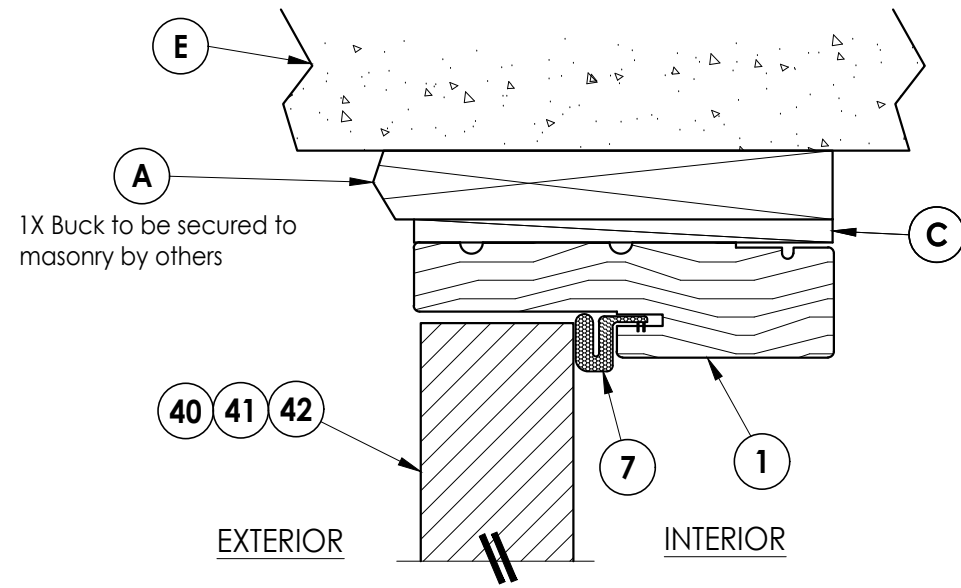
**RW** BUILDING CONSULTANTS, INC.  
 P.O. Box 230, Valrico, FL 33595  
 Phone No.: 813.659.9197  
 FBPE Registry No. 9813

PRODUCT:  
 THERMA-TRU  
 FIBERGLASS DOOR

PART OR ASSEMBLY:  
 HORIZONTAL & VERTICAL  
 CROSS SECTIONS (2X BUCK)

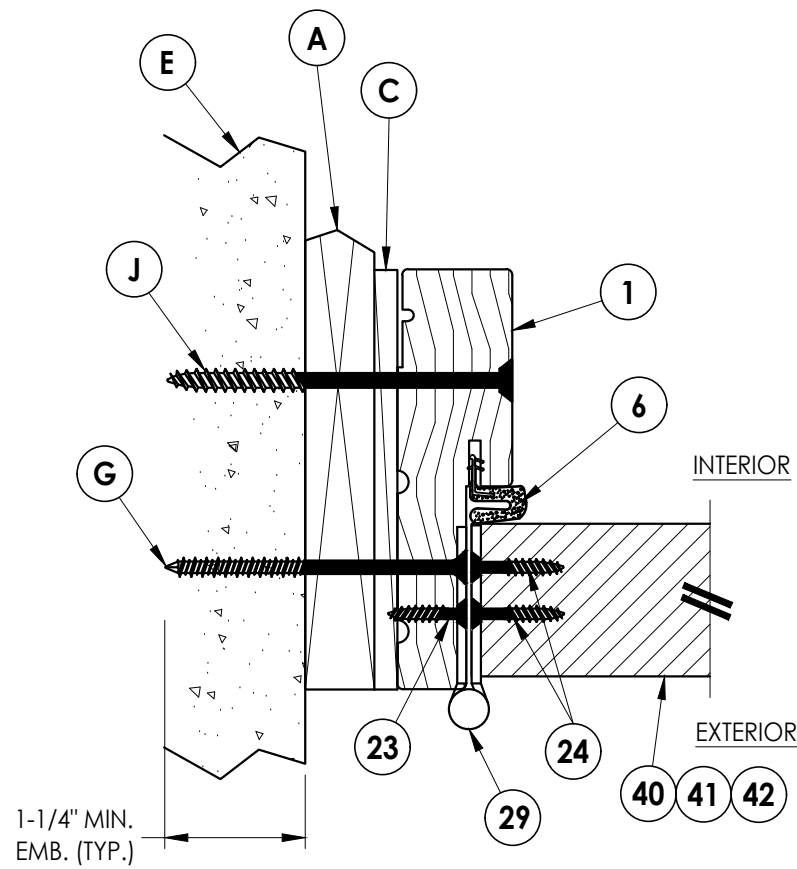
NO.	DATE	REVISIONS
5	7/20/23	UPDATE TO 8TH ED. (2023) FBC
4	7/14/20	UPDATE TO 7th ED (2020) FBC
3	10/08/18	REV. DOOR PANEL OPTION NOTE
2	10/15/17	ADD DEADBOLT 5-1/2" O. C. AND RECESSED PANEL NOTATION
1	7/17/17	UPDATE TO 6th ED (2017) FBC

DATE: 08/02/16  
 SCALE: N.T.S.  
 DWG. BY: JK  
 CHK. BY: LFS  
 DRAWING NO.: FL-20468.4  
 SHEET 4 OF 11

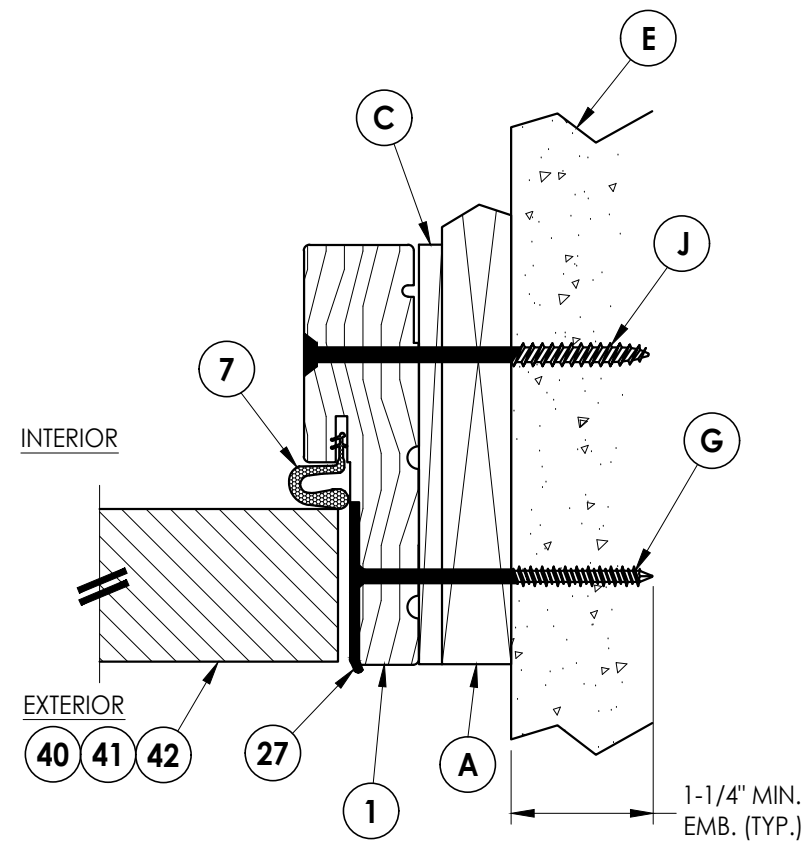


1X Buck to be secured to masonry by others

**1 VERTICAL CROSS SECTION**  
**5** Shown w/ 1X sub-buck  
 Outswing shown (Inswing similar)



**2 HORIZONTAL CROSS SECTION**  
**5** Shown w/ 1X sub-buck  
 Outswing shown (Inswing similar)



**3 HORIZONTAL CROSS SECTION**  
**5** Shown w/ 1X sub-buck  
 Outswing shown (Inswing similar)

Documents Prepared By:  
 Lyndon F. Schmidt  
 P.E. No. 43409

**RW** BUILDING CONSULTANTS, INC.  
 P.O. Box 230, Valrico, FL 33595  
 Phone No.: 813.659.9197  
 FBPE Registry No. 9813

PRODUCT:  
 THERMA-TRU  
 FIBERGLASS DOOR

PART OR ASSEMBLY:  
 HORIZONTAL & VERTICAL  
 CROSS SECTIONS (1X BUCK)

NO.	DATE	REVISIONS
5	7/20/23	UPDATE TO 8TH ED. (2023) FBC
4	7/14/20	UPDATE TO 7th ED (2020) FBC
3	10/08/18	REV. DOOR PANEL OPTION NOTE
2	10/15/17	ADD DEADBOLT 5-1/2" O. C. AND RECESSED PANEL NOTATION
1	7/17/17	UPDATE TO 6th ED (2017) FBC

DATE: 08/02/16

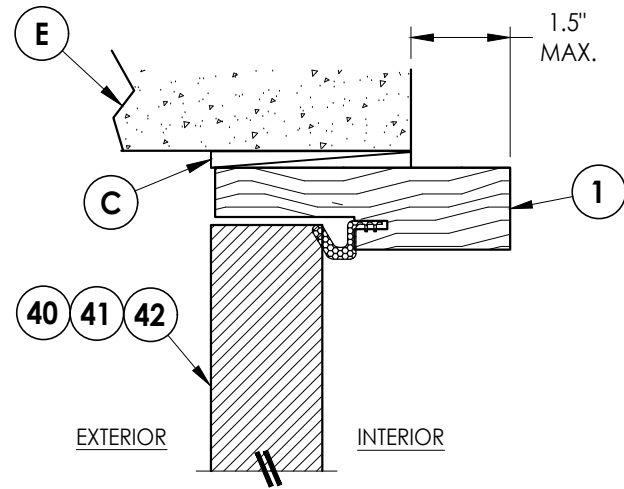
SCALE: N.T.S.

DWG. BY: JK

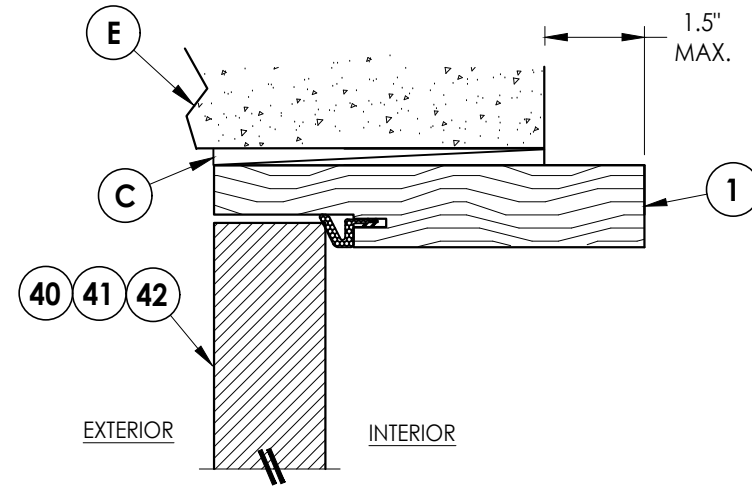
CHK. BY: LFS

DRAWING NO.:  
 FL-20468.4

SHEET 5 OF 11

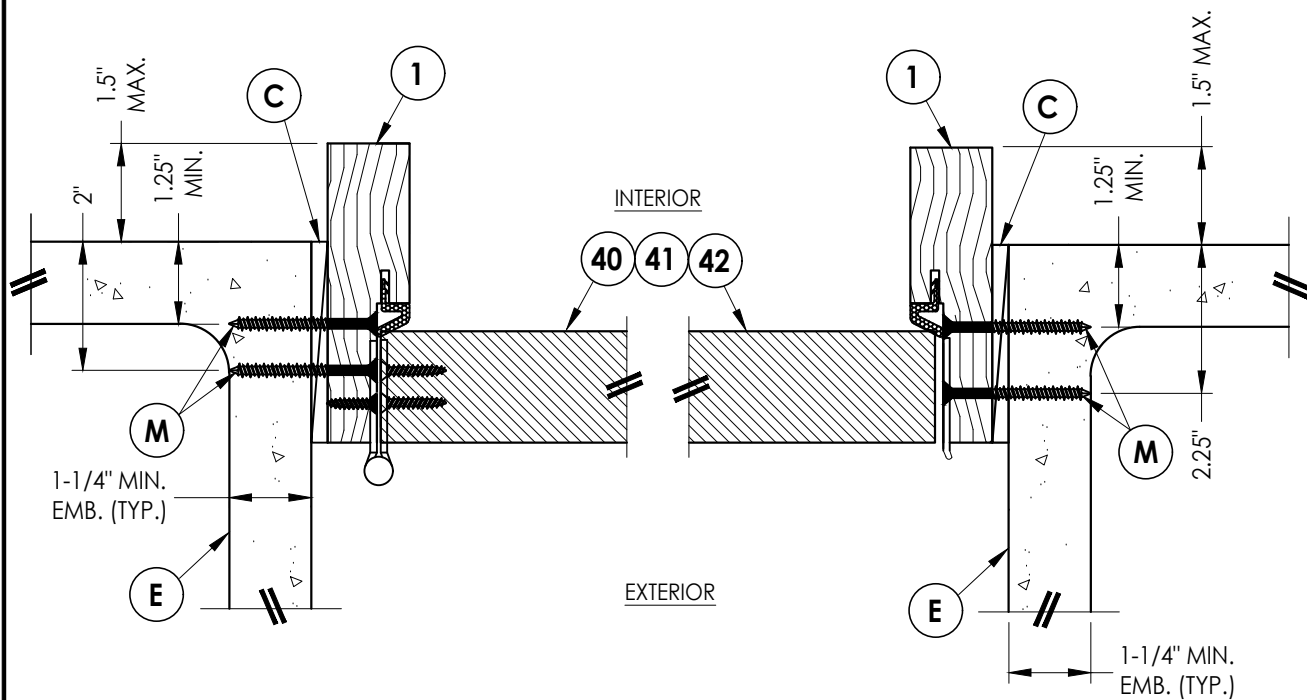


**1**  
**6** **VERTICAL CROSS SECTION**  
Shown Direct to Masonry  
Outswing only w/ 4-9/16" jamb

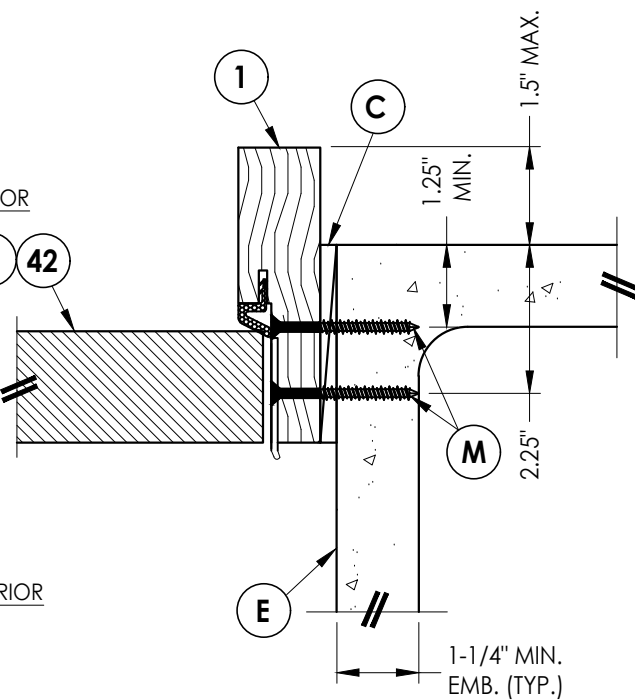


**4**  
**6** **VERTICAL CROSS SECTION**  
Shown Direct to Masonry  
Outswing only w/ 6-9/16" jamb

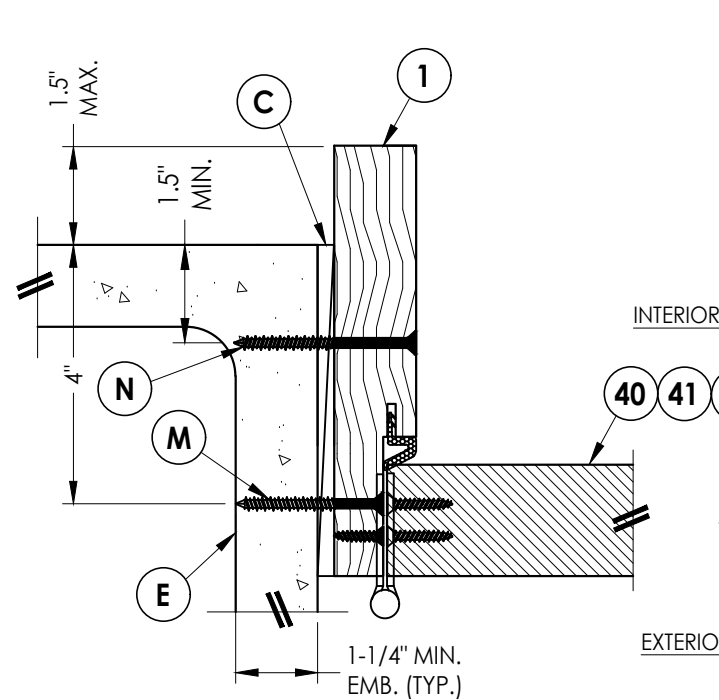
DIRECT TO MASONRY MAX. DESIGN PRESSURE:  
w/ STANDARD STRIKE = ± 47 PSF  
w/ SECURITY STRIKE = ± 55 PSF



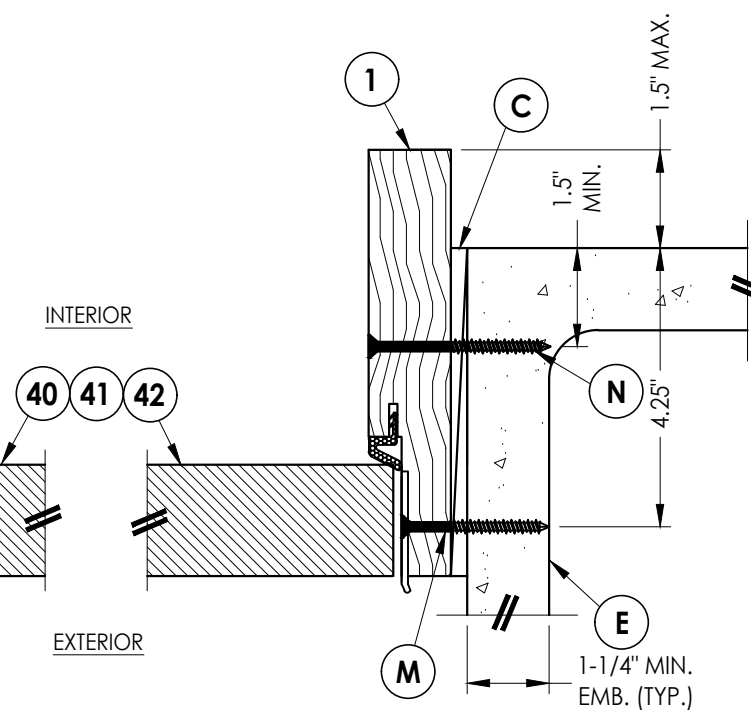
**2**  
**6** **HORIZONTAL CROSS SECTION**  
Shown Direct to Masonry  
Outswing only w/ 4-9/16" jamb



**3**  
**6** **HORIZONTAL CROSS SECTION**  
Shown Direct to Masonry  
Outswing only w/ 4-9/16" jamb



**5**  
**6** **HORIZONTAL CROSS SECTION**  
Shown Direct to Masonry  
Outswing only w/ 6-9/16" jamb



**6**  
**6** **HORIZONTAL CROSS SECTION**  
Shown Direct to Masonry  
Outswing only w/ 6-9/16" jamb

Documents Prepared By:  
Lyndon F. Schmidt  
P.E. No. 43409

**RW** BUILDING CONSULTANTS, INC.  
P.O. Box 230, Valrico, FL 33595  
Phone No.: 813.659.9197  
FAX: 813.659.9197

PRODUCT:  
THERMA-TRU  
FIBERGLASS DOOR

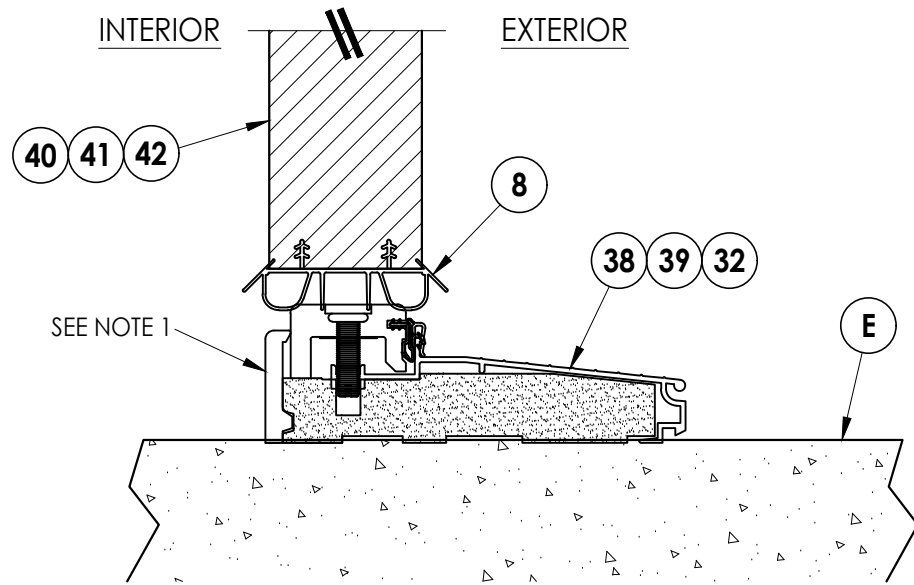
PART OR ASSEMBLY:  
HORIZONTAL & VERTICAL  
SECTIONS (DIRECT TO MASONRY)

NO.	DATE	REVISIONS
5	7/20/23	UPDATE TO 8TH ED. (2023) FBC
4	7/14/20	UPDATE TO 7TH ED (2020) FBC
3	10/08/18	REV. DOOR PANEL OPTION NOTE
2	10/15/17	ADD DEADBOLT 5-1/2" O. C. AND RECESSED PANEL NOTATION
1	7/17/17	UPDATE TO 6TH ED (2017) FBC
		BY

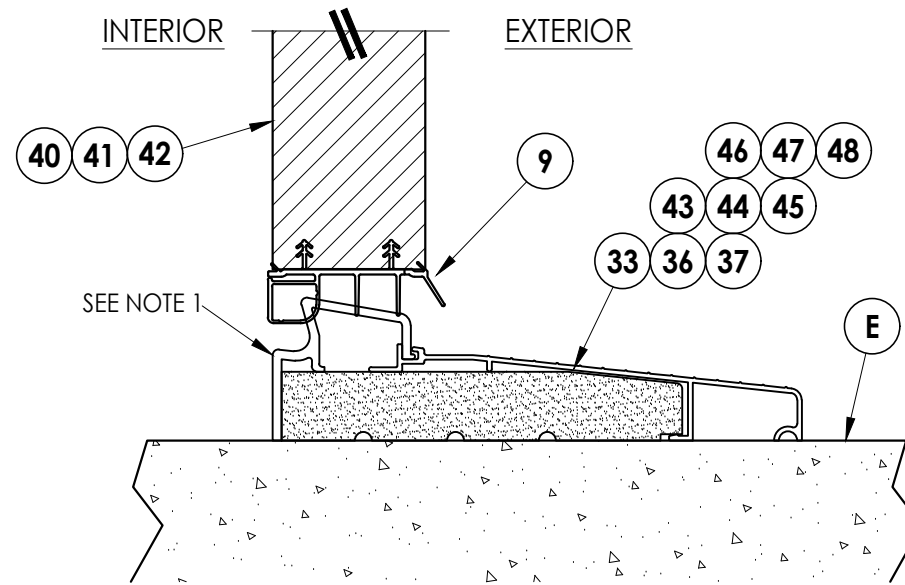
DATE: 08/02/16  
SCALE: N.T.S.  
DWG. BY: JK  
CHK. BY: LFS  
DRAWING NO.: FL-20468.4  
SHEET 6 OF 11

Notes:

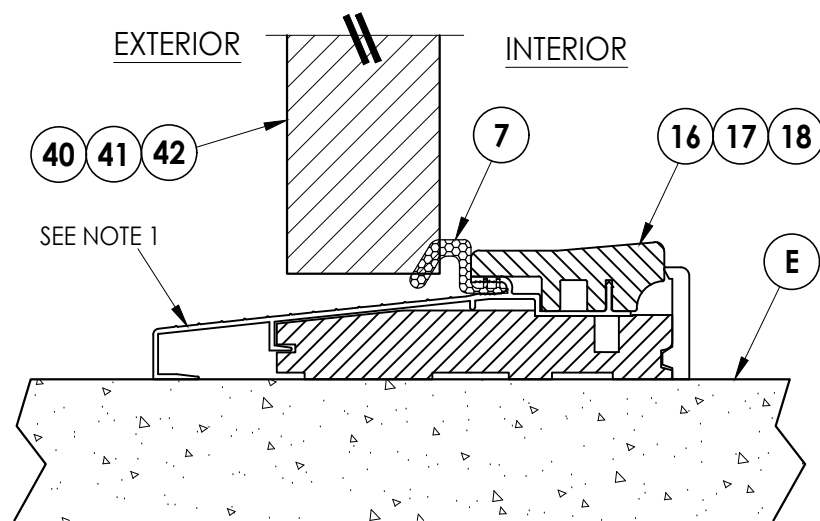
- Sill Item #'s 16, 32, 33, 36, 37, 38, 39, 43, 44, 45, 46, 47 & 48 are attached to jambs w/ (3) #8 X 2-1/2" pph screws or (3) 2.5" staples at each end.
- Sill Item #'s 17 & 18 are attached to jambs w/ (2) #8 X 2-1/2" pph screws at each end.
- Sill Item #15 is attached to jambs utilizing (2) #10 X 2" pph SMS screws at each end.



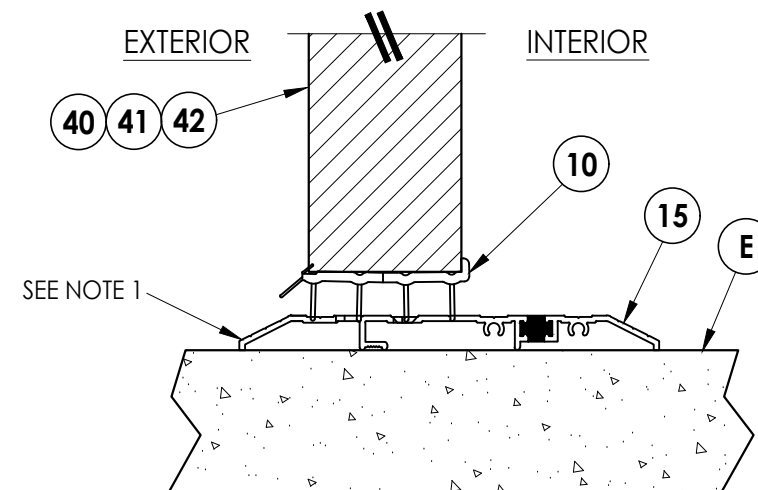
**1** VERTICAL CROSS SECTION  
7 Inswing Sill



**2** VERTICAL CROSS SECTION  
7 Inswing Sill



**3** VERTICAL CROSS SECTION  
7 Outswing Sill



**4** VERTICAL CROSS SECTION  
7 Public Access Sill

Documents Prepared By:  
Lyndon F. Schmidt  
P.E. No. 43409

**RW** BUILDING CONSULTANTS, INC.  
P.O. Box 230, Valrico, FL 33595  
Phone No.: 813.659.9197  
FBPE Registry No. 9813

PRODUCT:  
THERMA-TRU  
FIBERGLASS DOOR

PART OR ASSEMBLY:  
VERTICAL CROSS  
SECTIONS (THRESHOLDS)

NO.	DATE	REVISIONS
5	7/20/23	UPDATE TO 8TH ED. (2023) FBC
4	7/14/20	UPDATE TO 7th ED. (2020) FBC
3	10/08/18	REV. DOOR PANEL OPTION NOTE
2	10/15/17	ADD DEADBOLT 5-1/2" O. C.
1	7/17/17	AND RECESSED PANEL NOTATION
		UPDATE TO 6th ED. (2017) FBC
		BY JK
		MT
		JK
		LFS

DATE: 08/02/16

SCALE: N.T.S.

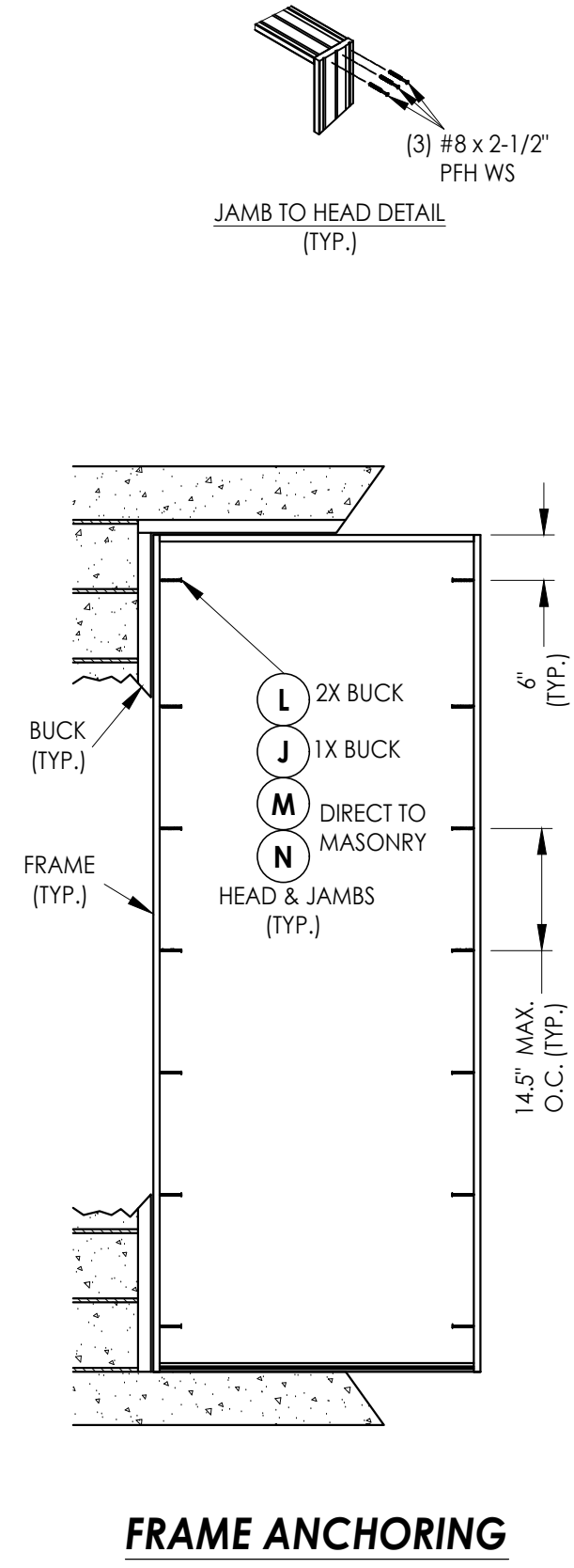
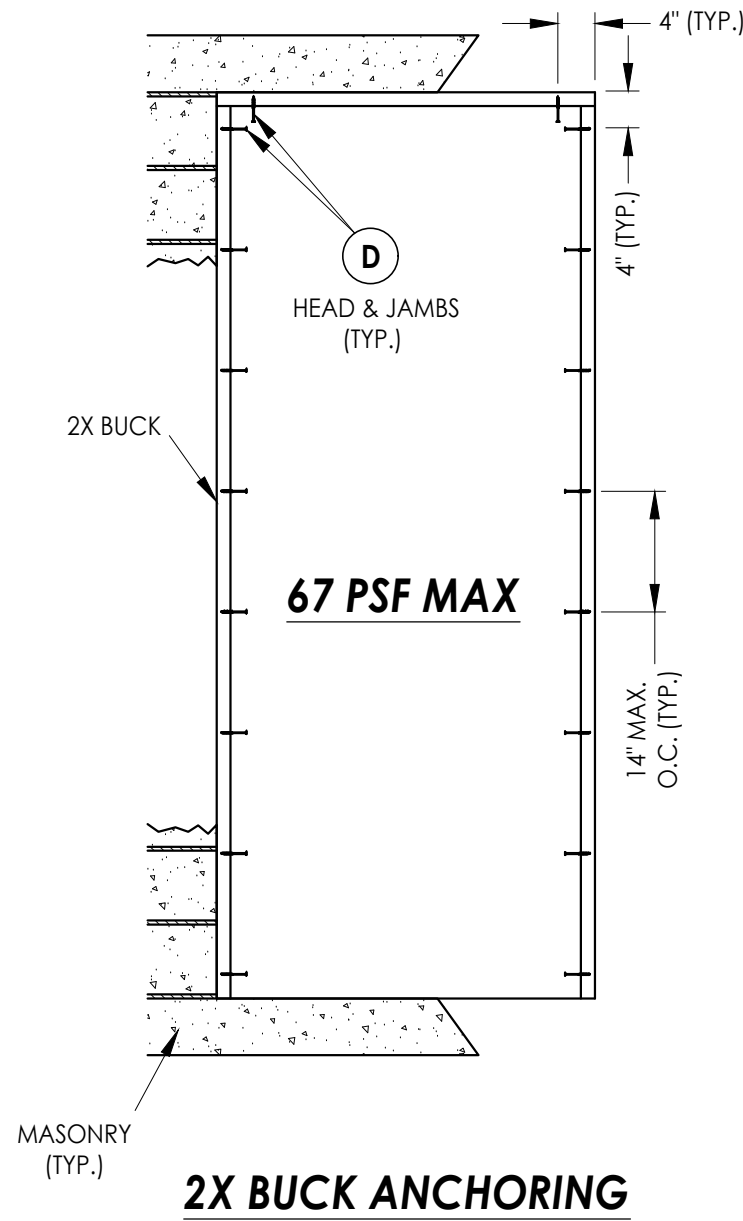
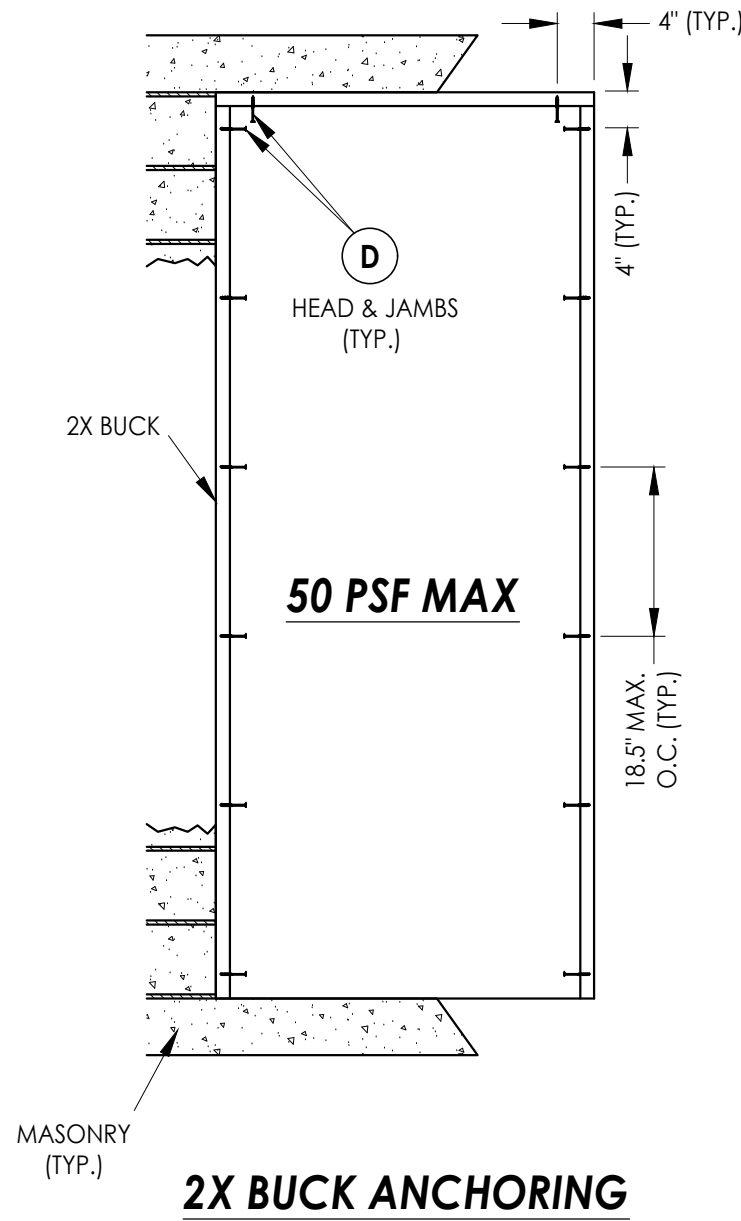
DWG. BY: JK

CHK. BY: LFS

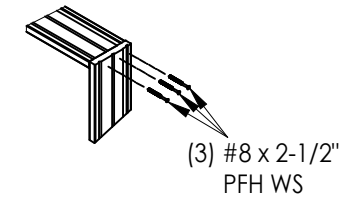
DRAWING NO.:

FL-20468.4

SHEET 7 OF 11



JAMB TO HEAD DETAIL  
(TYP.)



Documents Prepared By:  
Lyndon F. Schmidt  
P.E. No. 43409

**RW** BUILDING CONSULTANTS, INC.  
P.O. Box 230, Vairico, FL 33595  
Phone No.: 813.659.9197  
FBPE Registry No. 9813

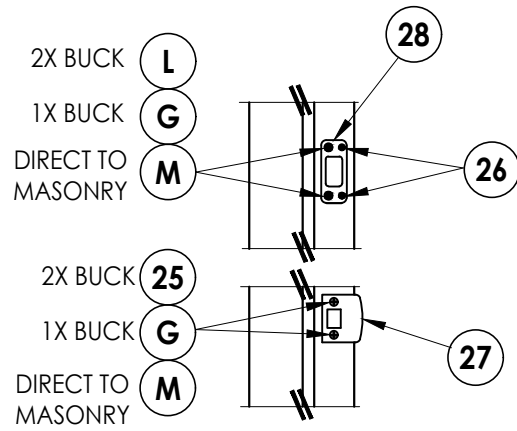
PRODUCT:  
THERMA-TRU  
FIBERGLASS DOOR

PART OR ASSEMBLY:  
BUCK AND FRAME ANCHORING

NO.	DATE	REVISIONS
5	7/20/23	UPDATE TO 8TH ED. (2023) FBC LFS
4	7/14/20	UPDATE TO 7TH ED. (2020) FBC LFS
3	10/08/18	REV. DOOR PANEL OPTION NOTE MT
2	10/15/17	ADD DEADBOLT 5-1/2" O. C. JK
1	7/17/17	AND RECESSED PANEL NOTATION JK
		UPDATE TO 6TH ED. (2017) FBC BY

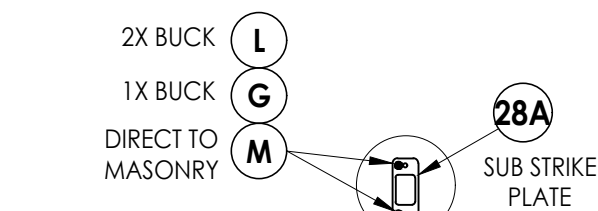
DATE: 08/02/16  
SCALE: N.T.S.  
DWG. BY: JK  
CHK. BY: LFS  
DRAWING NO.: FL-20468.4  
SHEET 8 OF 11





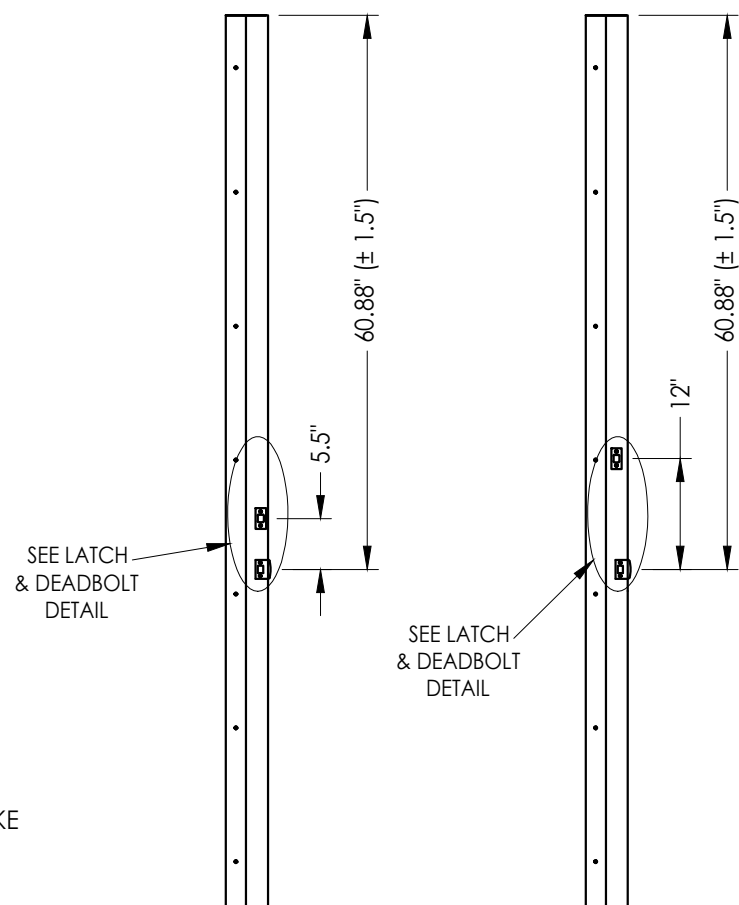
**LATCH & DEADBOLT DETAIL**

Kwikset



**LATCH & DEADBOLT DETAIL**

Schlage

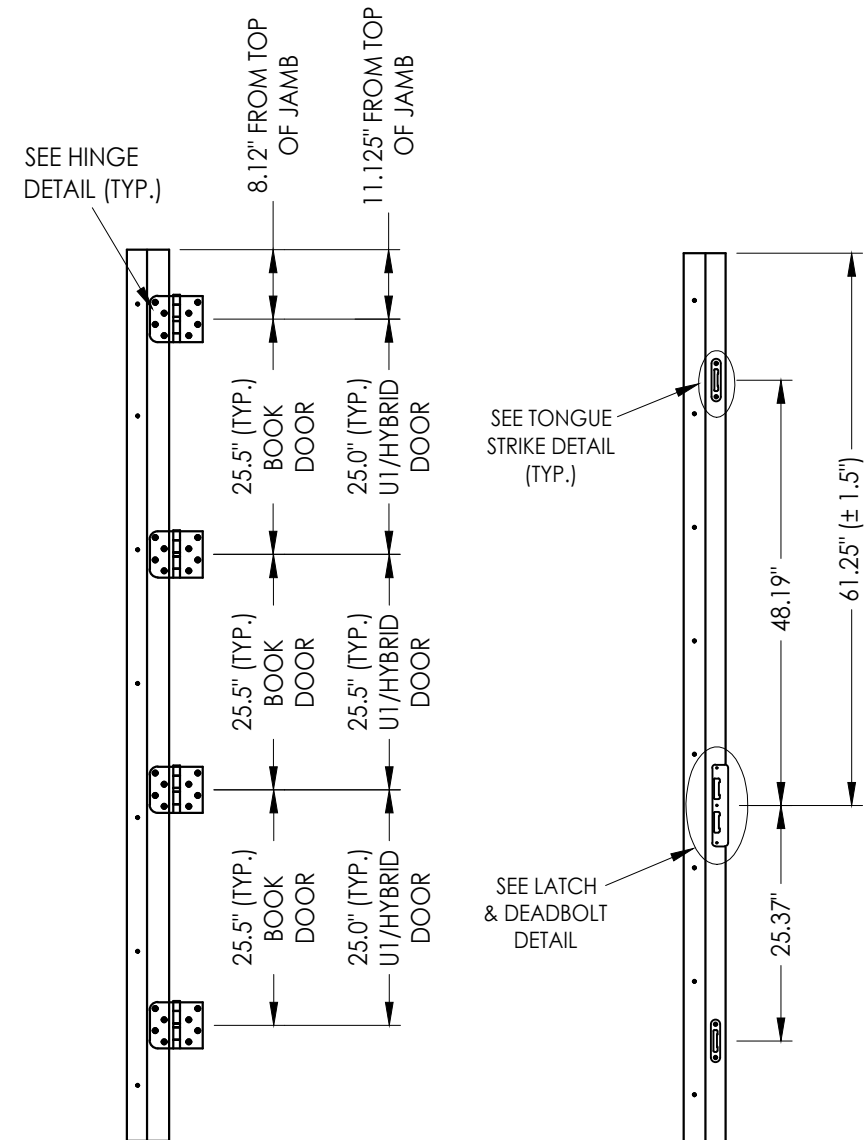


**STRIKE JAMB**

Latch and Deadbolt  
5-1/2" ON CENTER

**STRIKE JAMB**

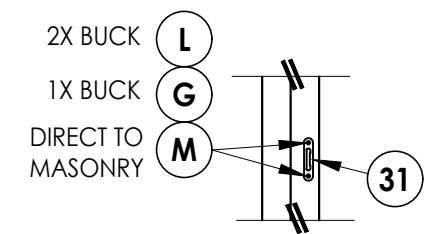
Latch and Deadbolt  
12" ON CENTER



**HINGE JAMB**

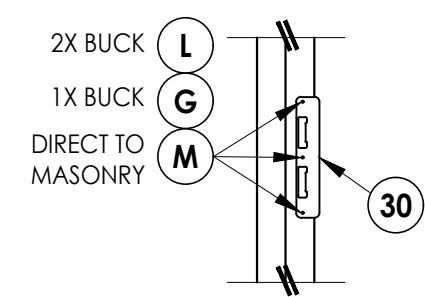
**STRIKE JAMB**

Multipoint Lock



**TONGUE STRIKE DETAIL**

Multipoint Lock



**LATCH & DEADBOLT DETAIL**

Multipoint Lock

**LATCH & DEADBOLT STRIKE DETAILS**

**DEADBOLT STRIKE DETAILS**

(Security Deadbolt Strike Plate)

**HINGE DETAIL**

**MULTIPOINT LOCK STRIKE DETAILS**

Documents Prepared By:  
Lyndon F. Schmidt  
P.E. No. 43409

**RW** BUILDING CONSULTANTS, INC.  
P.O. Box 230, Valrico, FL 33595  
Phone No.: 813.659.9197  
FBPE Registry No. 9813

PRODUCT:  
THERMA-TRU  
FIBERGLASS DOOR

PART OR ASSEMBLY:  
HARDWARE DETAILS

NO.	DATE	REVISIONS
5	7/20/23	UPDATE TO 8TH ED. (2023) FBC
4	7/14/20	UPDATE TO 7th ED (2020) FBC
3	10/08/18	REV. DOOR PANEL OPTION NOTE
2	10/15/17	ADD DEADBOLT 5-1/2" O. C. AND RECESSED PANEL NOTATION
1	7/17/17	UPDATE TO 6th ED (2017) FBC
		BY

DATE: 08/02/16

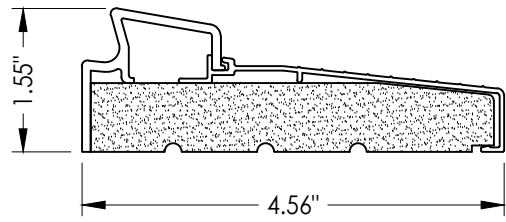
SCALE: N.T.S.

DWG. BY: JK

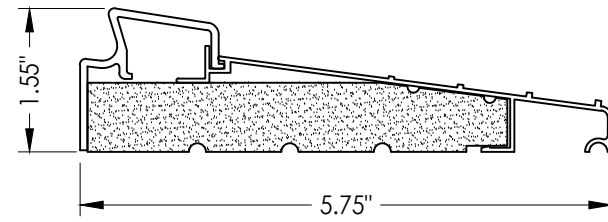
CHK. BY: LFS

DRAWING NO.:  
FL-20468.4

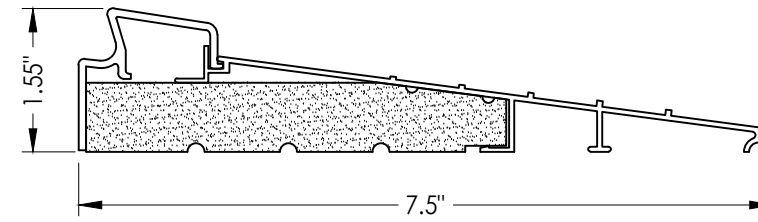
SHEET 9 OF 11



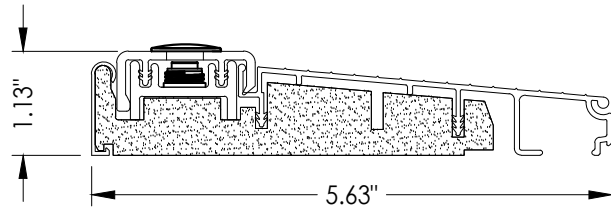
**33 INSWING THRESHOLD**  
Inswing Basic Fixed Sill



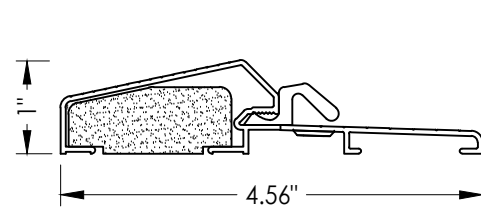
**36 INSWING THRESHOLD**  
Inswing Basic Fixed 5-3/4" Sill



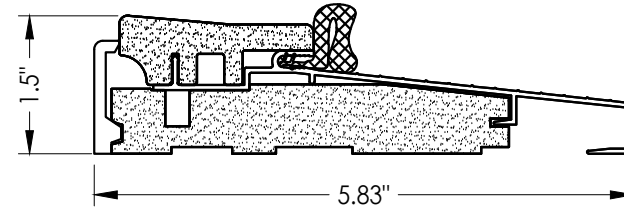
**37 INSWING THRESHOLD**  
Inswing Basic Fixed 7-1/2" Sill



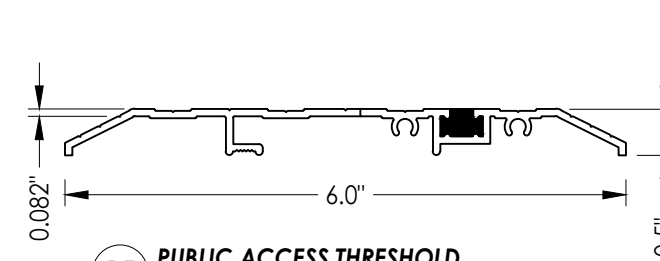
**39 INSWING THRESHOLD**  
Inswing Composite Adjustable Sill



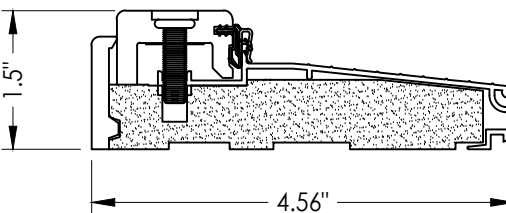
**17 OUTSWING THRESHOLD**  
Composite / Aluminum Sill



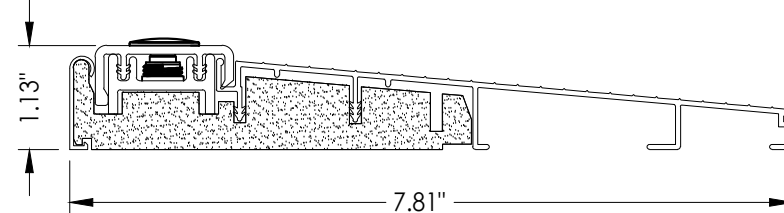
**16 OUTSWING THRESHOLD**  
Composite / Aluminum Sill



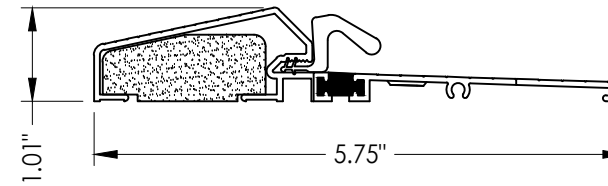
**15 PUBLIC ACCESS THRESHOLD**



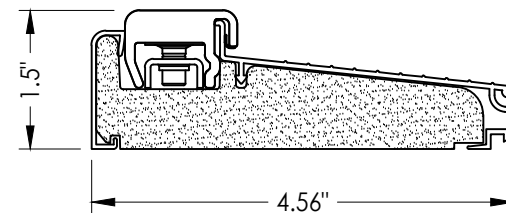
**38 INSWING THRESHOLD**  
Inswing Composite Adjustable Sill



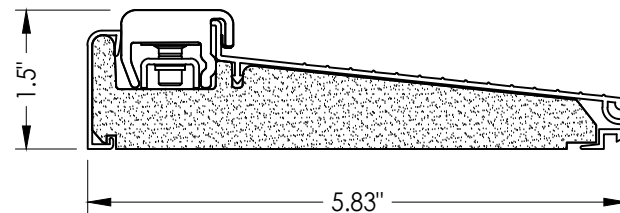
**32 INSWING THRESHOLD**  
Inswing Composite Adjustable 7-3/4" Sill



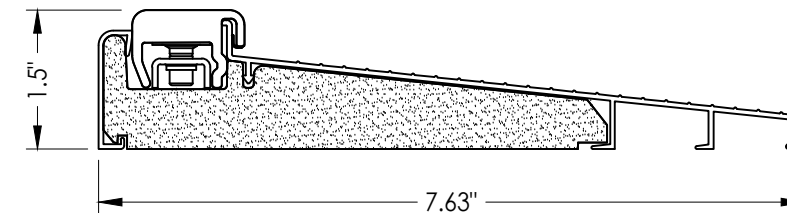
**18 OUTSWING THRESHOLD**  
Composite / Aluminum Sill  
(Thermal Break)



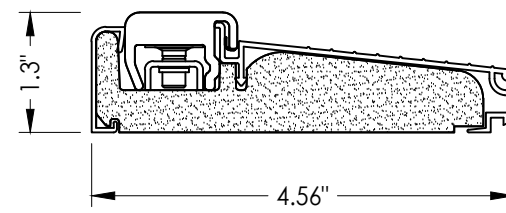
**43 INSWING THRESHOLD**  
Inswing Composite Adjustable Sill  
Book, Hybrid



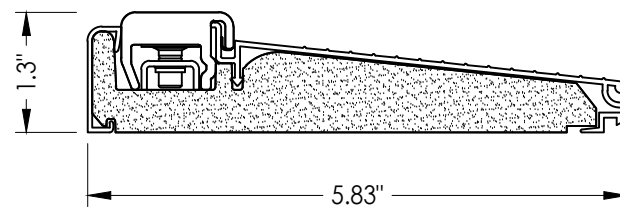
**44 INSWING THRESHOLD**  
Inswing Composite Adjustable Sill  
Book, Hybrid



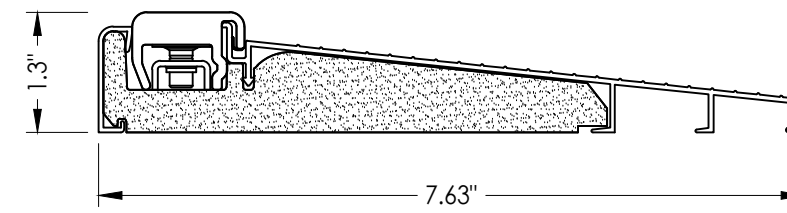
**45 INSWING THRESHOLD**  
Inswing Composite Adjustable Sill  
Book, Hybrid



**46 INSWING THRESHOLD**  
Inswing Composite Adjustable Sill  
U1



**47 INSWING THRESHOLD**  
Inswing Composite Adjustable Sill  
U1



**48 INSWING THRESHOLD**  
Inswing Composite Adjustable Sill  
U1

Documents Prepared By:  
Lyndon F. Schmidt  
P.E. No. 43409

**RW** BUILDING CONSULTANTS, INC.  
P.O. Box 230, Vairico, FL 33595  
Phone No.: 813.659.9197  
FBPE Registry No. 9813

PRODUCT:  
THERMA-TRU  
FIBERGLASS DOOR

PART OR ASSEMBLY:

COMPONENTS

NO.	DATE	REVISIONS	JK	BY
5	7/20/23	UPDATE TO 8TH ED. (2023)	FBC	
4	7/14/20	UPDATE TO 7th ED (2020)	FBC	
3	10/08/18	REV. DOOR PANEL OPTION NOTE	MT	
2	10/15/17	ADD DEADBOLT 5-1/2" O. C. AND RECESSED PANEL NOTATION	JK	
1	7/17/17	UPDATE TO 6th ED (2017)	FBC	

DATE: 08/02/16

SCALE: N.T.S.

DWG. BY: JK

CHK. BY: LFS

DRAWING NO.: FL-20468.4

SHEET 10 OF 11

BILL OF MATERIALS			BILL OF MATERIALS		
ITEM #	DESCRIPTION	MATERIAL	ITEM #	DESCRIPTION	MATERIAL
A	1X BUCK (SG >= 0.42)	WOOD	25	#8 x 2-1/2" PFH WOOD SCREW	STEEL
B	2X BUCK (SG >= 0.42)	WOOD	26	#8 x 5/8" PFH WOOD SCREW	STEEL
C	1/4" MAX. SHIM SPACE	-	27	LATCH STRIKE PLATE	STEEL
D	1/4" X 2-3/4" PFH DeWALT OR ITW CONCRETE SCREW	STEEL	28	DEADBOLT STRIKE PLATE (STANDARD)	STEEL
E	MASONRY - 3,000 PSI MIN. CONCRETE CONFORMING TO ACI 301 OR HOLLOW BLOCK CONFORMING TO ASTM C90	CONCRETE	28A	DEADBOLT SUB STRIKE PLATE	STEEL
			28B	DEADBOLT STRIKE PLATE (SECURITY)	STEEL
G	3/16" X 3-1/4" ITW CONCRETE SCREW	STEEL	29	4" X 4" HINGE	STEEL
J	1/4" X 3-3/4" PFH DeWALT OR ITW CONCRETE SCREW	STEEL	30	LATCH & DEADBOLT STRIKE PLATE (TONGUE SYSTEM)	ALUM/COMP
L	#10 X 2-1/2" PFH WOOD SCREW (1.15" MIN. EMBEDMENT)	STEEL	31	MULTIPOINT STRIKE PLATE (TONGUE SYSTEM)	ALUM/COMP
M	3/16" X 2-1/4" ITW CONCRETE SCREW	STEEL	32	INSWING THRESHOLD	ALUM/COMP
N	3/16" X 2-3/4" ITW CONCRETE SCREW	STEEL	33	INSWING THRESHOLD	ALUM/COMP
1	JAMB (FINGER JOINT PINE )	WOOD	36	INSWING THRESHOLD	ALUM/COMP
6	WEATHERSTRIP (MEDIUM REACH)	FOAM	37	INSWING THRESHOLD	ALUM/COMP
7	WEATHERSTRIP (LONG REACH)	FOAM	38	INSWING THRESHOLD	ALUM/COMP
8	SWEEP	VINYL	39	INSWING THRESHOLD	ALUM/COMP
9	SWEEP	VINYL	40	DOOR PANEL (BOOK)	-
10	SWEEP (USE w/ PUBLIC ACCESS THRESHOLD)	VINYL	41	DOOR PANEL (HYBRID)	-
15	PUBLIC ACCESS THRESHOLD	ALUM	42	DOOR PANEL (U1)	-
16	OUTSWING THRESHOLD	ALUM/COMP	43	INSWING THRESHOLD	ALUM/COMP
17	OUTSWING THRESHOLD	ALUM/COMP	44	INSWING THRESHOLD	ALUM/COMP
18	OUTSWING THRESHOLD	ALUM/COMP	45	INSWING THRESHOLD	ALUM/COMP
22	#8 x 3/4" PFH WOOD SCREW	STEEL	46	INSWING THRESHOLD	ALUM/COMP
23	#10 x 3/4" PFH WOOD SCREW	STEEL	47	INSWING THRESHOLD	ALUM/COMP
24	#10 x 1" PFH WOOD SCREW	STEEL	48	INSWING THRESHOLD	ALUM/COMP

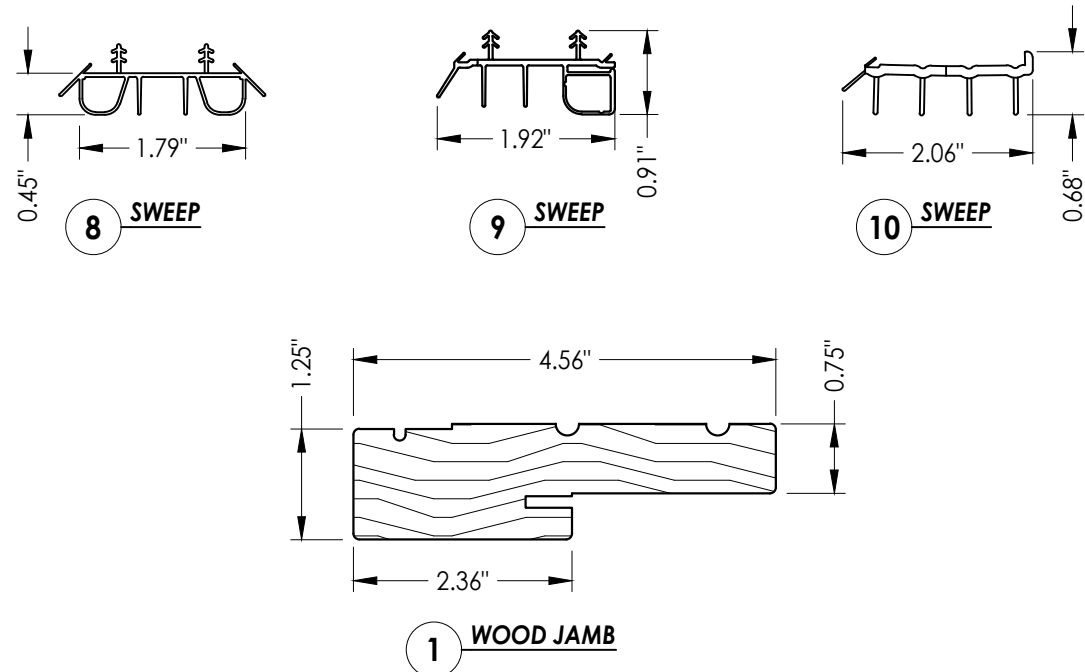
**CONCRETE ANCHOR NOTES:**

- Concrete anchor locations at the corners may be adjusted to maintain the min. edge distance to mortar joints.
- Concrete anchor locations noted as "MAX. ON CENTER" must be adjusted to maintain the min. edge distance to mortar joints, additional concrete anchors may be required to ensure the "MAX. ON CENTER" dimension are not exceeded.
- Concrete anchor table:

ANCHOR TYPE	ANCHOR SIZE	MIN. EMBEDMENT	MIN. CLEARANCE TO MASONRY EDGE	MIN. CLEARANCE TO ADJACENT ANCHOR
ITW TAPCON®	1/4"	1-1/4"	2"	4"
DeWALT ULTRACON®	1/4"	1-1/4"	1"	4"
ITW TAPCON®	3/16"	1-1/4"	AS SHOWN	1-1/2"

**WOOD SCREW INSTALLATION NOTES:**

- Maintain a minimum 5/8" edge distance, 1" end distance, & 1" o.c. spacing of wood screws to prevent the splitting of wood.



Documents Prepared By:  
Lyndon F. Schmidt  
P.E. No. 43409

**RW** BUILDING CONSULTANTS, INC.  
P.O. Box 230, Vairico, FL 33595  
Phone No.: 813.659.9197  
FBPE Registry No. 9813

PRODUCT:  
THERMA-TRU  
FIBERGLASS DOOR

PART OR ASSEMBLY:  
COMPONENTS &  
BILL OF MATERIALS

NO.	DATE	DESCRIPTION	BY
5	7/20/23	UPDATE TO 8TH ED. (2023) FBC	LFS
4	7/14/20	UPDATE TO 7th ED (2020) FBC	LFS
3	10/08/18	REV. DOOR PANEL OPTION NOTE	MT
2	10/15/17	ADD DEADBOLT 5-1/2" O. C. AND RECESSED PANEL NOTATION	JK
1	7/17/17	UPDATE TO 6th ED (2017) FBC	JK

DATE:	08/02/16
SCALE:	N.T.S.
DWG. BY:	JK
CHK. BY:	LFS
DRAWING NO.:	FL-20468.4
SHEET	11 OF 11